

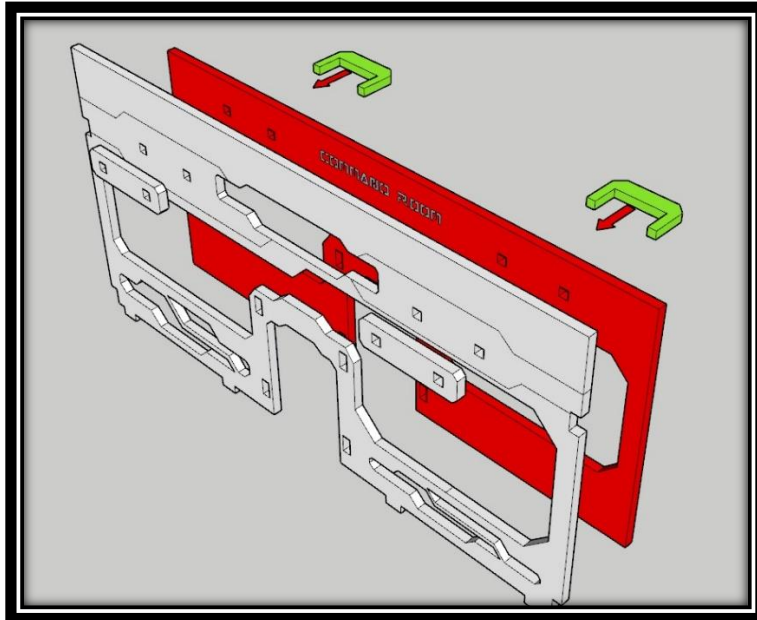
- COMMAND ROOM -



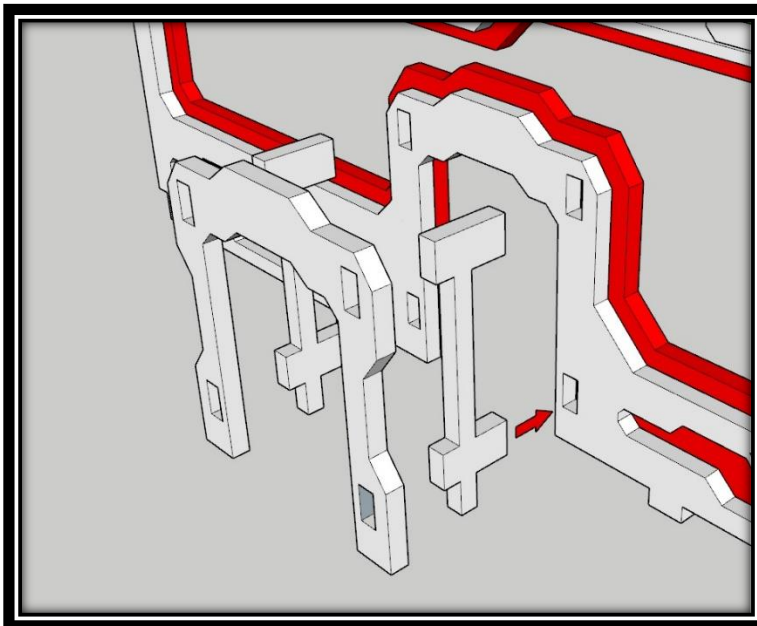
- COMMAND ROOM -

1. Insert pegs into both walls and finish with light fixtures on the exterior.
2. Next attach front door pieces into front of wall. Allow to dry prior to sliding the door down.
3. Repeat these steps for all side walls.

REF. PICTURE #1



REF. PICTURE #2



- COMMAND ROOM -

4. Add four corner reinforcement pieces.

5. Assemble all four walls together to form the building and finish by bringing down on top of the floor piece.

REF. PICTURE #3/#4

