

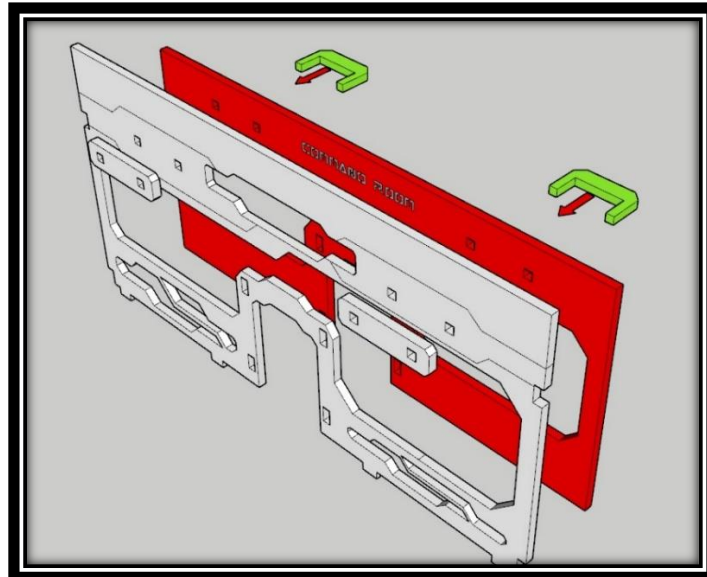
- WATCHTOWER -



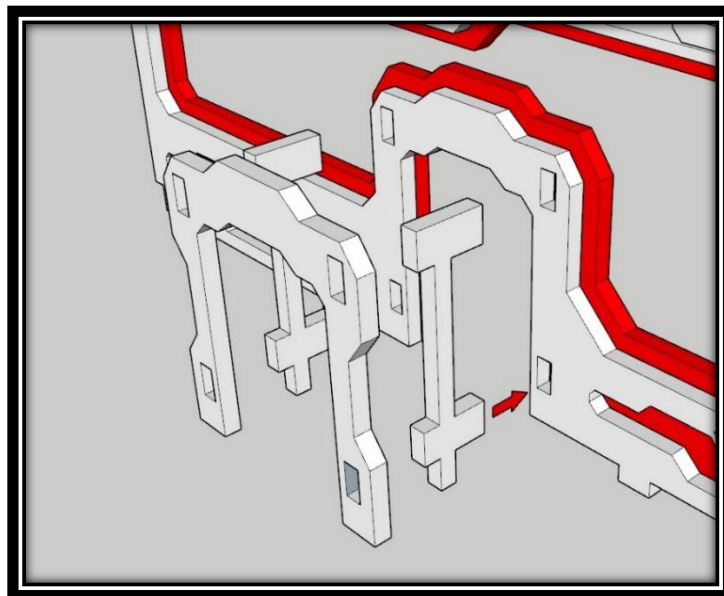
- WATCHTOWER -

1. Insert pegs into both walls and finish with light fixtures on the exterior. (Use glue on interior of walls)
2. Next attach front door pieces into front of wall. Allow to dry prior to sliding the door down.
3. Repeat these steps for all side walls.

REF. PICTURE #1



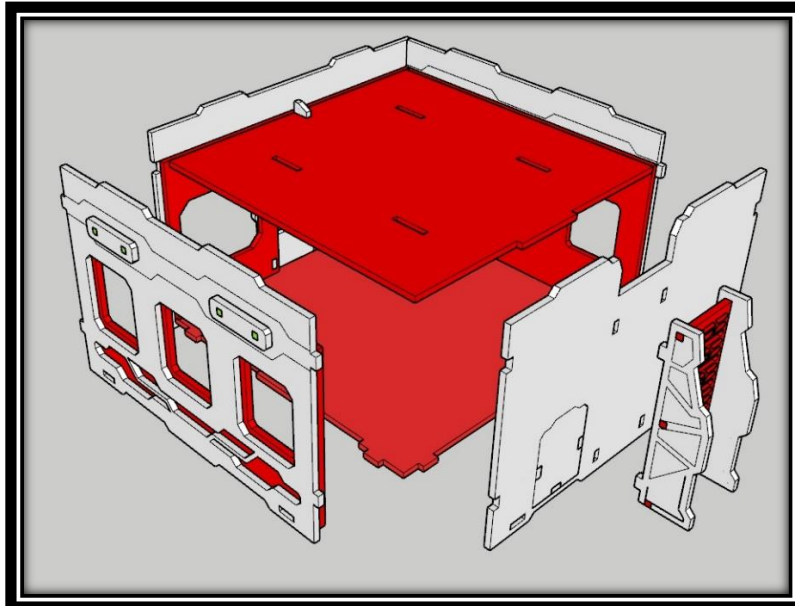
REF. PICTURE #2



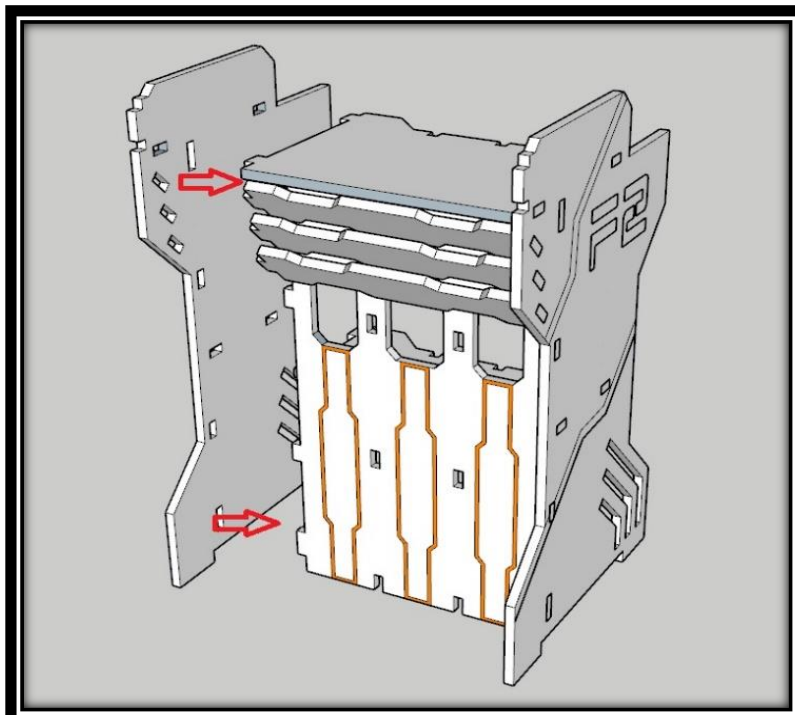
- WATCHTOWER -

1. Insert side walls on to floor first followed by front and rear walls. Assemble the rear ladder and glue to rear wall.
2. Next attach all wall structures to one of the side tower walls. Next close the tower structure with the other side of the tower wall.

REF. PICTURE #1



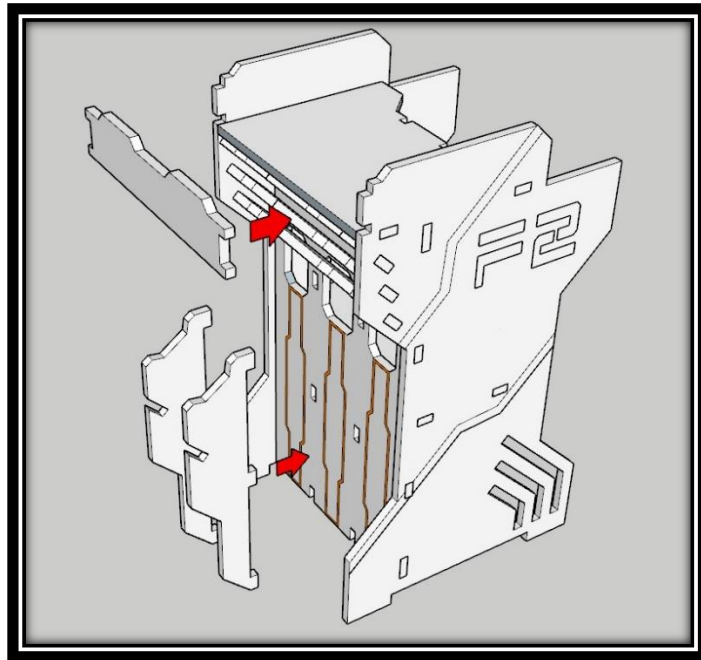
REF. PICTURE #2



- WATCHTOWER -

3. Install front pieces to the front wall and the upper platform.
4. Assemble front lights and attach to front wall structure.
5. Attach rear upper ladder to the watchtower to finish.

REF. PICTURE #3



REF. PICTURE #4

