

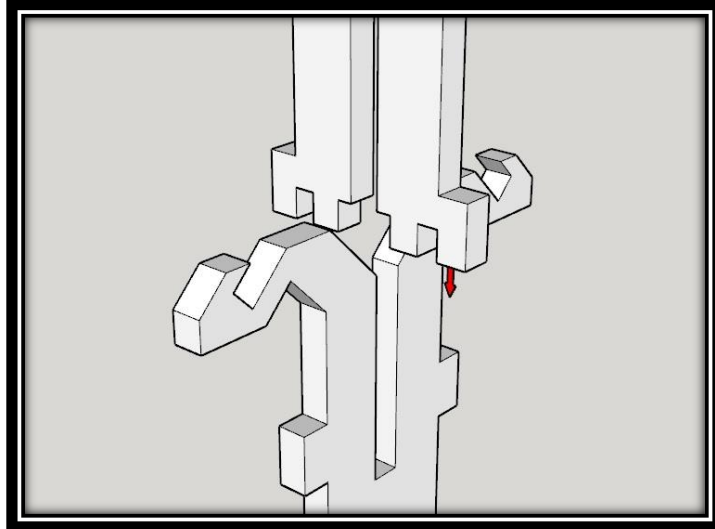
- HEATER UNITS -



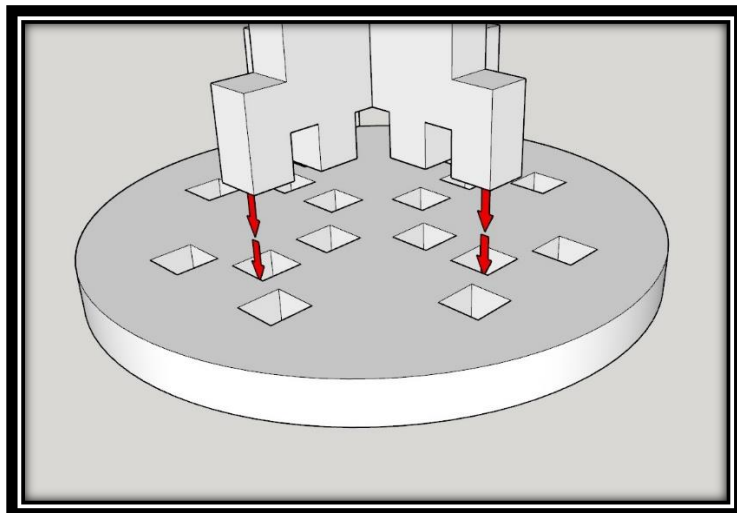
- HEATER UNITS -

1-2 Slide center post into each other and then insert into 40mm base.

REF. PICTURE #1



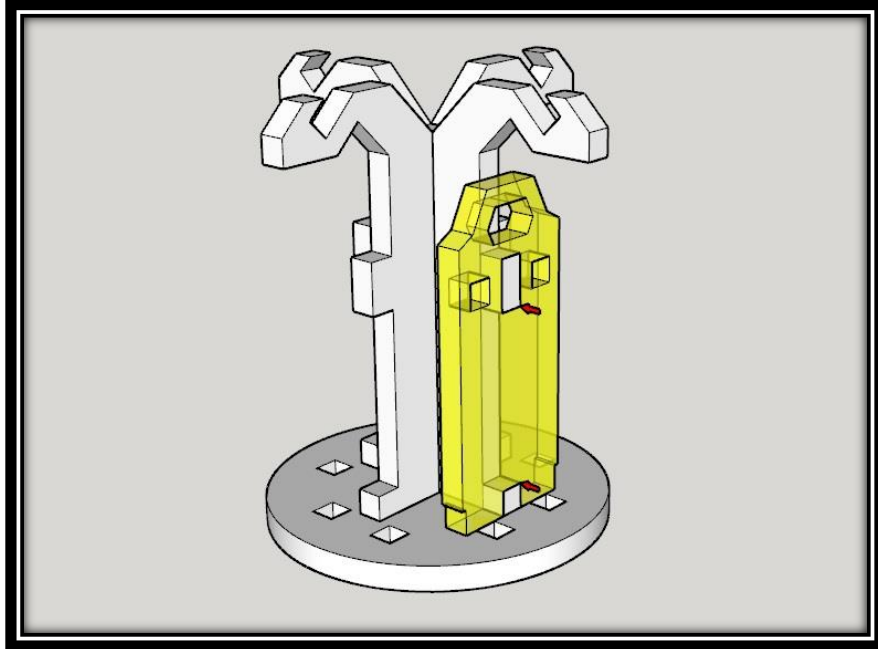
REF. PICTURE #2



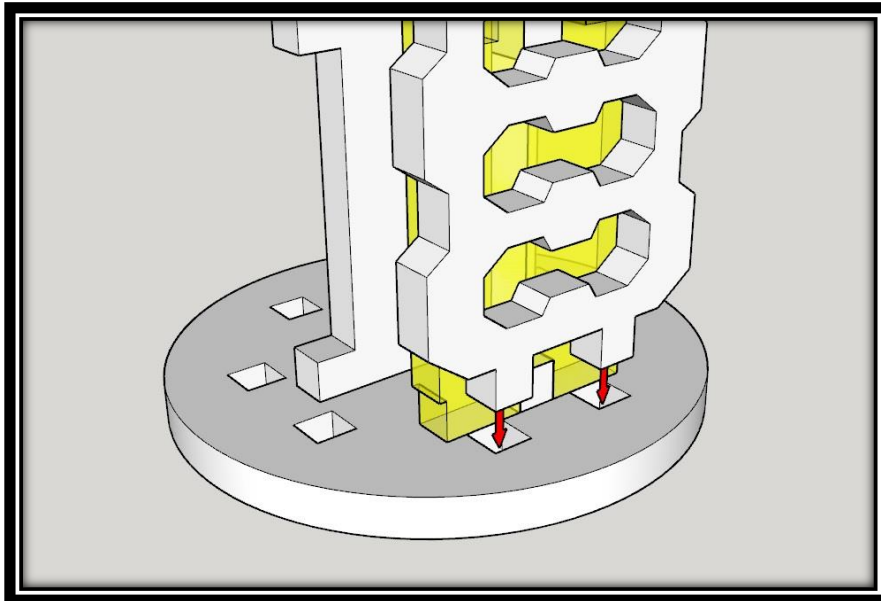
- HEATER UNITS -

3-4 Slide acrylic center piece into place and then insert outer piece down into base.

REF. PICTURE #3



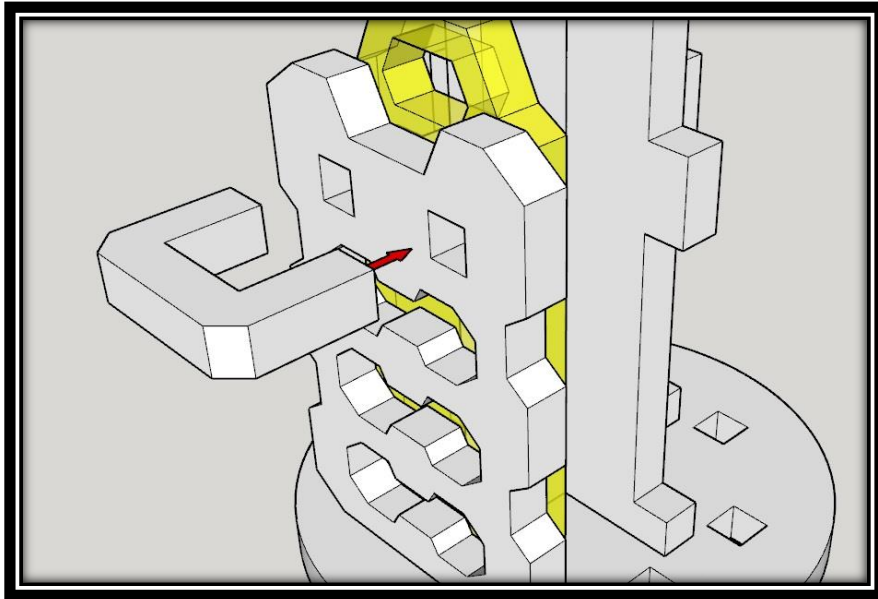
REF. PICTURE #4



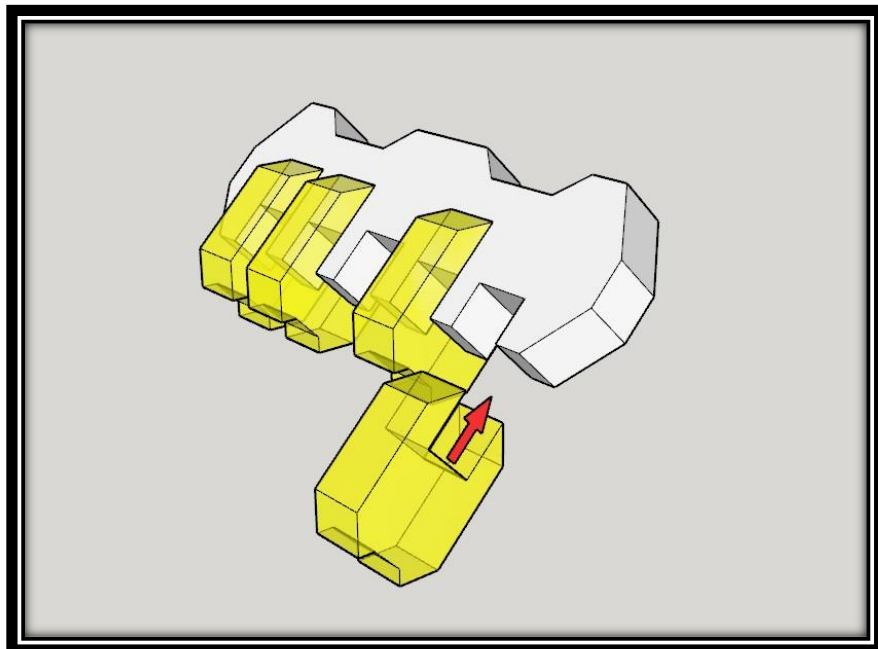
- HEATER UNITS -

5-6 Slide upper "U" piece into place (might have to wiggle it for it to slide). Repeat last three steps for all sides. Next slide (4) acrylic lights into upper wing section. Leave center slot empty. Do this for all four pieces.

REF. PICTURE #5



REF. PICTURE #6



- HEATER UNITS -

- 7 Slide wing piece into upper center brackets on all four sides.

REF. PICTURE #7

